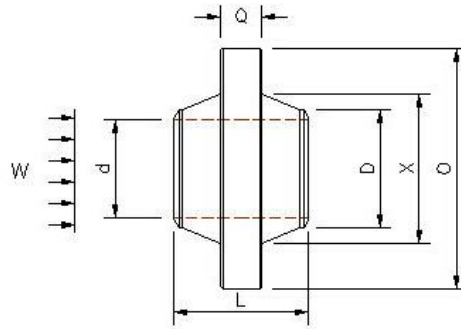


ASTM A694 Carbon Steel Anchor Flange, 800LB



Nom Pipe Size	Dia of Bore	Pre Beveled Hub Dia	For 40°F Temperature Change				For 90°F Temperature Change			
			Dim O	Dim Q	Dim L	Dim X	Dim O	Dim Q	Dim L	Dim X
6	According to customer requirements.	6.75	9.5	0.63	2.88	7	11.25	1.13	3.63	7
8		8.75	12.13	0.75	3	9	14.63	1.38	3.88	9
10		11	14.88	0.88	3.13	11.13	17.13	1.5	4	11.13
12		13	17.75	1	3.5	13.25	19.25	1.63	4.25	13.25
14		14.25	19.63	1.13	3.75	14.5	20.5	1.75	4.5	14.5
16		16.25	22.38	1.31	4.19	16.3	22.5	1.81	5	16.63
18		18.25	24.63	1.38	4.63	18.63	24.63	1.94	5.5	18.63
20		20.31	26.63	1.5	4.88	20.63	26.75	2	6	20.75
22		22.31	28.63	1.63	5.13	22.63	28.75	2.13	6.25	22.75
24		24.38	30.63	1.69	5.44	24.63	31	2.25	6.75	24.88
26		26.38	32.75	1.75	5.88	26.75	32.88	2.31	7.13	26.88
28		28.38	34.88	1.81	6.19	28.88	35	2.38	7.5	29
30		30.44	36.88	1.94	6.56	30.88	37	2.5	8	31
34		34.5	41	2.06	7.19	35	41	2.75	8.75	35
36	36.5	43	2.13	8	37	43	2.88	9.63	37	

Source: <http://www.landeeflange.com>

Landeeflange.com has won fully trust from clients by providing the best flanges. Our service mission is to achieve 100% customer satisfaction.