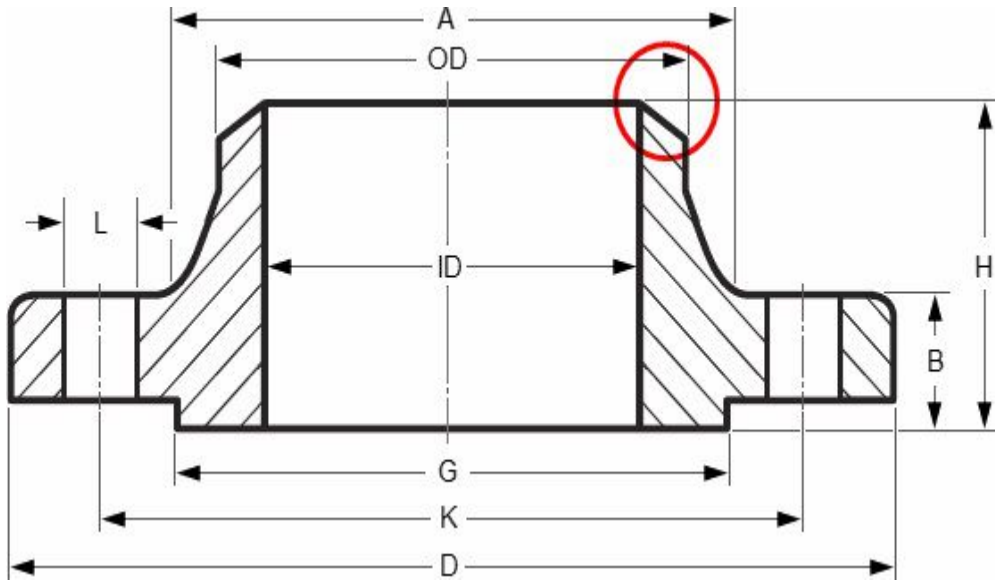


ASME B16.5 Welding Neck Flange, 10 Inch, 900LBS, RF



Class	150	300	400	600	900	1500	2500
Diameter - A	30	38	38	38	38	38	43
Diameter - D	90	95	95	95	120	120	135
Thickness - B	9.6	12.7	14.3	14.3	22.3	22.3	30.2
	11.2	14.3	20.7	20.7	28.7	28.7	36.6
Diameter - G	35.1	35.1	35.1	35.1	35.1	35.1	35.1
Diameter - K	60.3	66.7	66.7	66.7	82.6	82.6	88.9
Height - H	46	51	52	52	60	60	73
	47.6	52.6	58.4	58.4	66.4	66.4	79.4
Bolt Holes	4	4	4	4	4	4	4
Diameter - L	15.9	15.9	15.9	15.9	22.2	22.2	22.2

Sourcing: <http://www.landeeflange.com/>

Landeeflange.com has won fully trust from clients by providing the best flanges. Our service mission is to achieve 100% customer satisfaction.